

HWT-4000 Hot water tank 4000 liters



Price: 12700€ - 19514€ excluding tax

SKU: HWT-4000

Product Categories: [THW - Tanks for hot water](#)

Product Tags: [Water](#)

Product Page: <http://eshop.czechminibreweries.com/product/hwt-4000/>

Product Variants

- HWT-4000 Hot water tank 4000 liters - electric ()
- HWT-4000 Hot water tank 4000 liters - steam&electric ()
- HWT-4000 Hot water tank 4000 liters - without ()

Product Summary

There is necessary to have enough of drinking hot water available during beer production process. Hot water is used for mixing malt mash in water in process production of wort, for showering of wort during the lautering process, for cleaning and sanitizing of the brewhouse and other vessels etc. The hot water tank HWT-4000 (boiler) is equipped with a water pumping unit. It is designed for storage of 4000 liters preheated water from the first cooling stage and following heating up to 80°C. The container is made of material AISI 316L, DIN 17 349, AKV extra 2.

Product Description

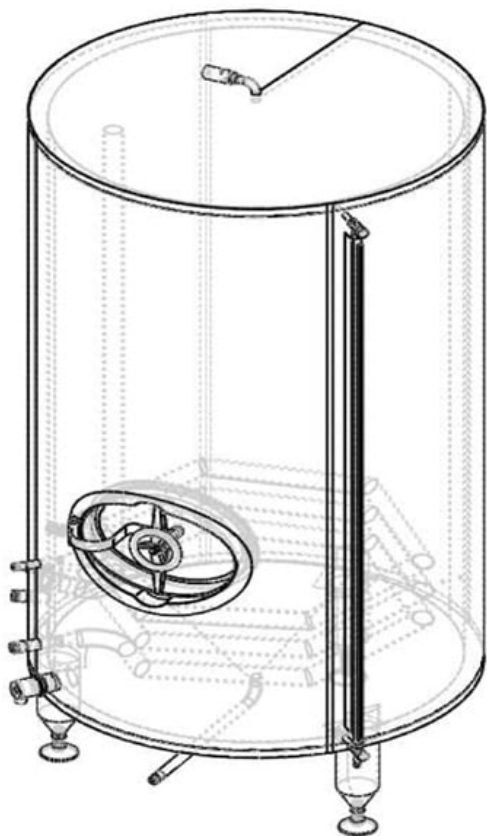
There is necessary to have enough of drinking hot water available during beer production process. Hot water is used for mixing malt mash in water in process production of wort, for showering of wort during the lautering process, for cleaning and sanitizing of the brewhouse and other vessels etc.

The hot water tank HWT-4000 (boiler) is equipped with a water pumping unit. It is designed for storage of 4000 liters preheated water from the first cooling stage and following heating up to 80°C. The container is made of material AISI 316L, DIN 17 349, AKV extra 2.

Three variants of heating system : **EH - Direct electric heating** - only electric heating

BH - Both heating systems - both electric and steam heating (requires an external hot steam generator)

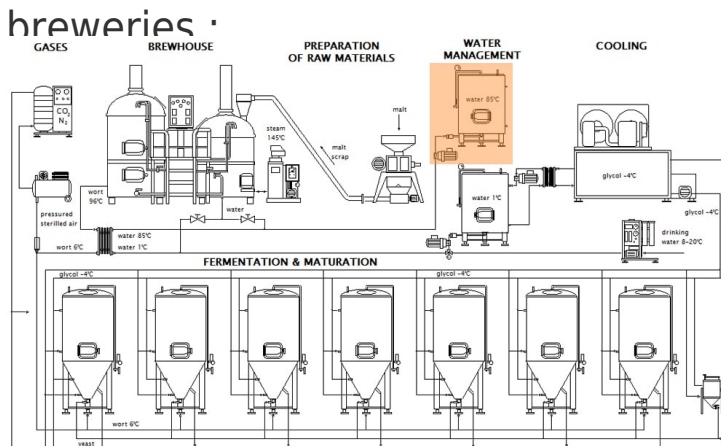
NH - None heating system - only for storage of externally heated water without any own heating system



Parameters:] - Total capacity 4231 l - Diameter with insulation 1500 mm - Weight 350 kg - Input power of heating element 4300 W - Input power of pumping unit 1500 W - Overall height 3000 mm Accessories: - Oval manhole 340*420 mm - Inlet and outlet armature DN 32 - Underpressure armature DN 32 - Overflow armature DN 50 - Float valve DN 32 - Expansion vessel 28 l - Pump for water 95°C 360W, 230V, 50 Hz, Hmax 35 - Pressure switch of pump - Armature for discharge into sewage DN 25 Electric switchboard and other equipment (valid for the BH combi version : steam and electric heating) - Main switch 3ph 400V /50Hz 32A - Circuit breaker of heater 3ph 400V /50Hz 32A - Heating contactor 3ph 400V /50Hz 32A - Digital regulator -15 -135°C Dixel XR20D - Probe NTC - Circuit breaker of regulator 230V 4A - Motor starter 230V 1,5-4A - 2pcs of the electric heating element with input power 4300 W - the electric heater serves only to keeping of current temperature, not to main heating of water. Hot steam is main heating media to heating of water up. - Pipe hot steam exchanger - an external hot steam generator is required to heating of water (not included) Electric switchboard and other equipment (valid for the EH version : only electric heating) - Main switch 3ph 400V /50Hz 40A -

Circuit breaker of heater 3ph 400V /50Hz 40A - Heating contactor 3ph 400V /50Hz 40A - Digital regulator -15 -135°C Dixel XR20D - Probe NTC - Circuit breaker of regulator 230V 4A - Motor starter 230V 1,5-4A - 6pcs of the electric heating element with input power 6000 W (total 36000 W) - the electric heater serves to heating of water in the tank - Without the steam heat exchanger

Electric switchboard and other equipment (valid for the NH version : without heating system) - This version is only passive water boiler - Without electric switchboard - Without thermo sensors - Without water pressure station - Without thermo regulators - Without electric heating elements - Without the steam heat exchanger Warranties: - Tank 4000 l 36 months - Pump 24 months - Armatures 36 months - Expansion vessel 24 months - Electric switchboard 24 months - Heating element 24 months - Float valve 36 months Scheme of the hot water system in the Breworx



Product Attributes

- Dimensions: 1600 × 1600 × 3100 mm
- Weight: 360 kg
- Heating system: electric, steam&electric, without

Product Gallery

